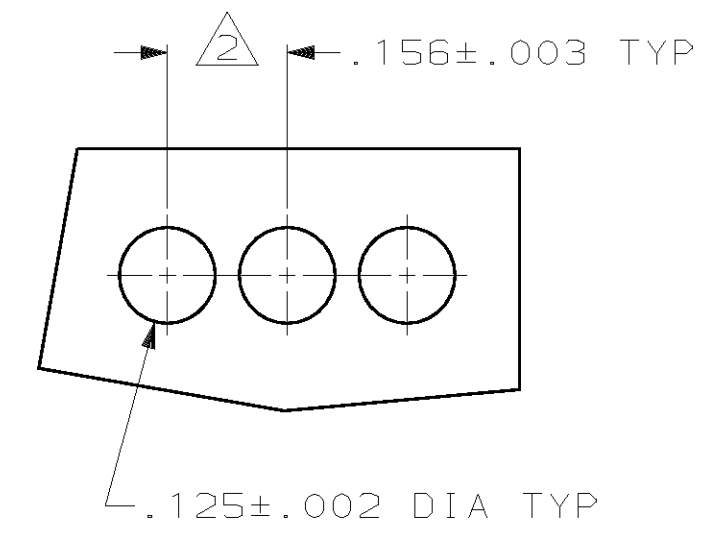
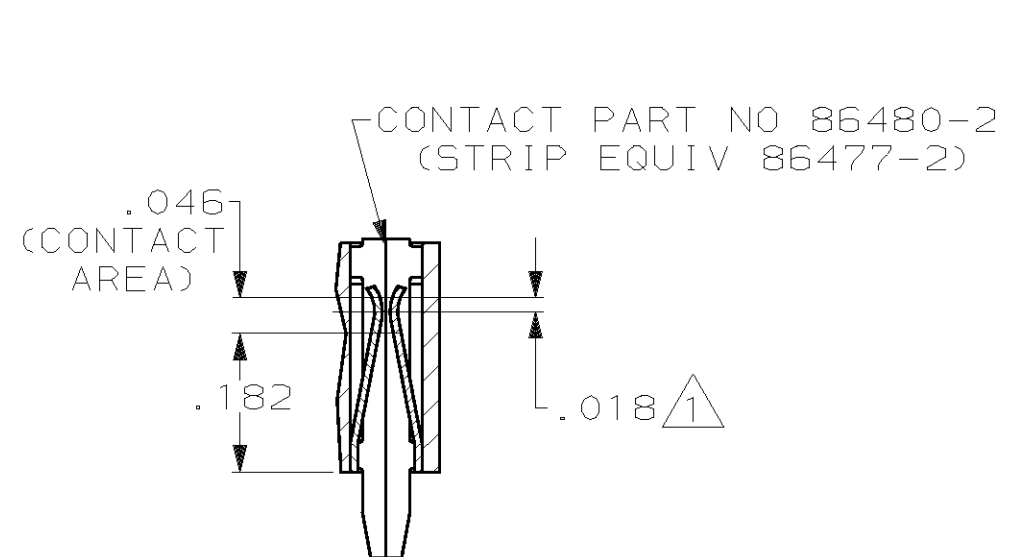


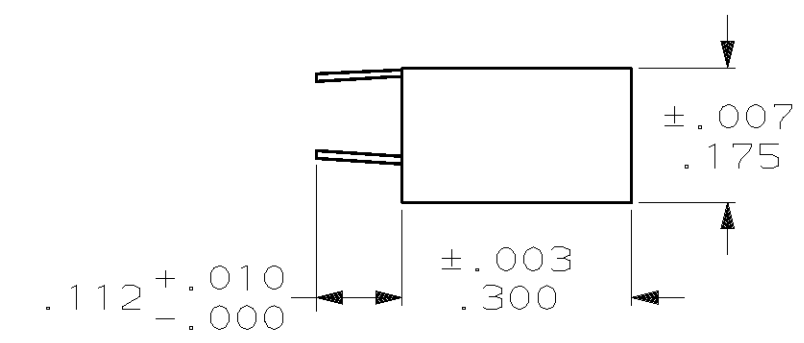
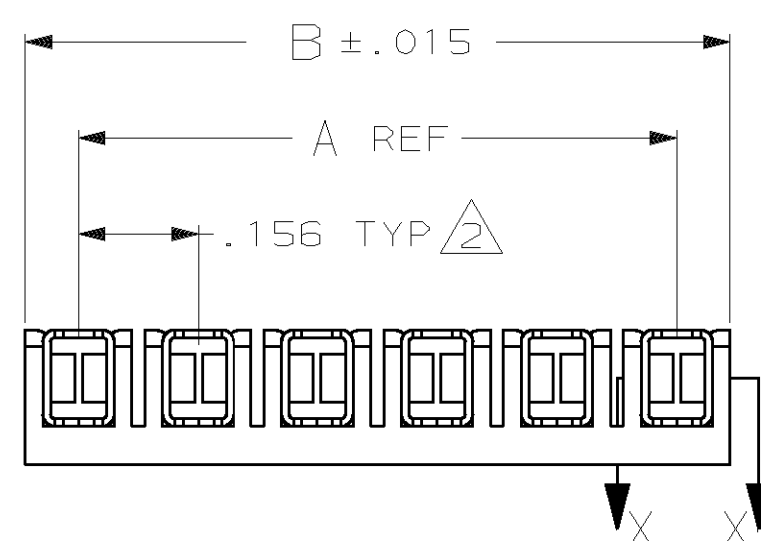
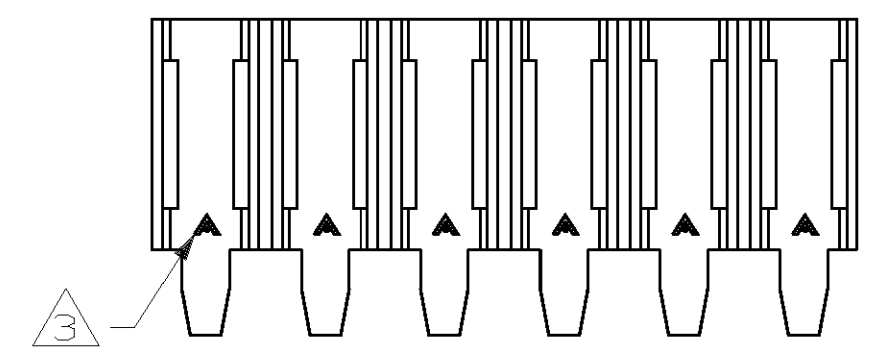
THIS DRAWING IS UNPUBLISHED. RELEASED FOR PUBLICATION, 19 .
 © COPYRIGHT 19 BY AMP INCORPORATED, HARRISBURG, PA. ALL INTERNATIONAL RIGHTS RESERVED. AMP PRODUCTS MAY BE COVERED BY U.S. AND FOREIGN PATENTS AND/OR PATENTS PENDING.

LOC	DIST	P	F	ZONE	LTR	DESCRIPTION	DATE	APPROVED
AD	39				A	REV & REDRAWN-ECN 978	-	-
					B	REV ECN 1286	12-11-86	-
					C	REV LOC & DIST AD-4171		3-90 BF
					D	REV PER 0010-0700-93		8-7-93 SAS
					E	REV PER 0010-1103-93		3-16-94 SAS
					F	REV PER 0010-1175-95		12-17-96 JH
					G	REV PER 0310-0143-97		3-31-97 JH
					H	REV PER 0310-0442-97		02-FEB-98 JH
					J	REV PER 063C-0107-00		08AUG00 MZ



SECTION X-X

RECOMMENDED BOARD MOUNTING
 (RECOMMENDED BOARD THICKNESS: .055-.070)



- ① POINT OF MEASUREMENT FOR PLATING THICKNESS (INSIDE OF BEAMS).
- ② TOLERANCE NON-CUMULATIVE.
- ③ THE MATING END OF THE CONTACT IS IDENTIFIED BY THE LETTER "A" STAMPED ON THE RECEPTACLE BOX.

3.120	2.964	20	2-87984-0
2.964	2.808	19	1-87984-9
2.808	2.652	18	1-87984-8
2.652	2.496	17	1-87984-7
2.496	2.340	16	1-87984-6
2.340	2.184	15	1-87984-5
2.184	2.028	14	1-87984-4
2.028	1.872	13	1-87984-3
1.872	1.716	12	1-87984-2
1.716	1.560	11	1-87984-1
1.560	1.404	10	1-87984-0
1.404	1.248	9	87984-9
1.248	1.092	8	87984-8
1.092	.936	7	87984-7
.936	.780	6	87984-6
.780	.624	5	87984-5
.624	.468	4	87984-4
.468	.312	3	87984-3
.312	.156	2	87984-2

UNLESS OTHERWISE SPECIFIED DIMENSIONS ARE IN INCHES TOLERANCES ON :		DR	AMP INCORPORATED Harrisburg, Pa. 17105	
2 PL DEC ± -		3-17-86 L D RINGLEY	NAME ASSY, MOD 1, BOARD MOUNT RECP, .156¢, STD PRESSURE, TYPE A, FOR ROUND HOLE MOUNTING	
3 PL DEC ± .005		CHK 3-18-86 P deJONG		
ANGLES ± -		APPD 3-18-86 P deJONG	SIZE	F5CM NO
MATERIAL: HOUSING-FLAME RETARDANT THERMOPLASTIC, COLOR-BLACK		APPD 3-18-86 C LINDGREN	C	00779
CONTACTS- PHOS BRONZE		PRODUCT SPEC 108-25,016	DRAWING NO	87984
FINISH: .000030 GOLD IN THE CONTACT AREA, GOLD FLASH ON THE REMAINDER, ALL OVER .000050 NICKEL		APPLICATION SPEC 114-25,004	SCALE	4:1
		WEIGHT	SHEET 1 OF 1	